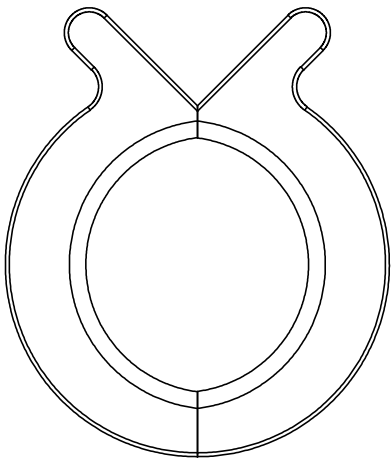
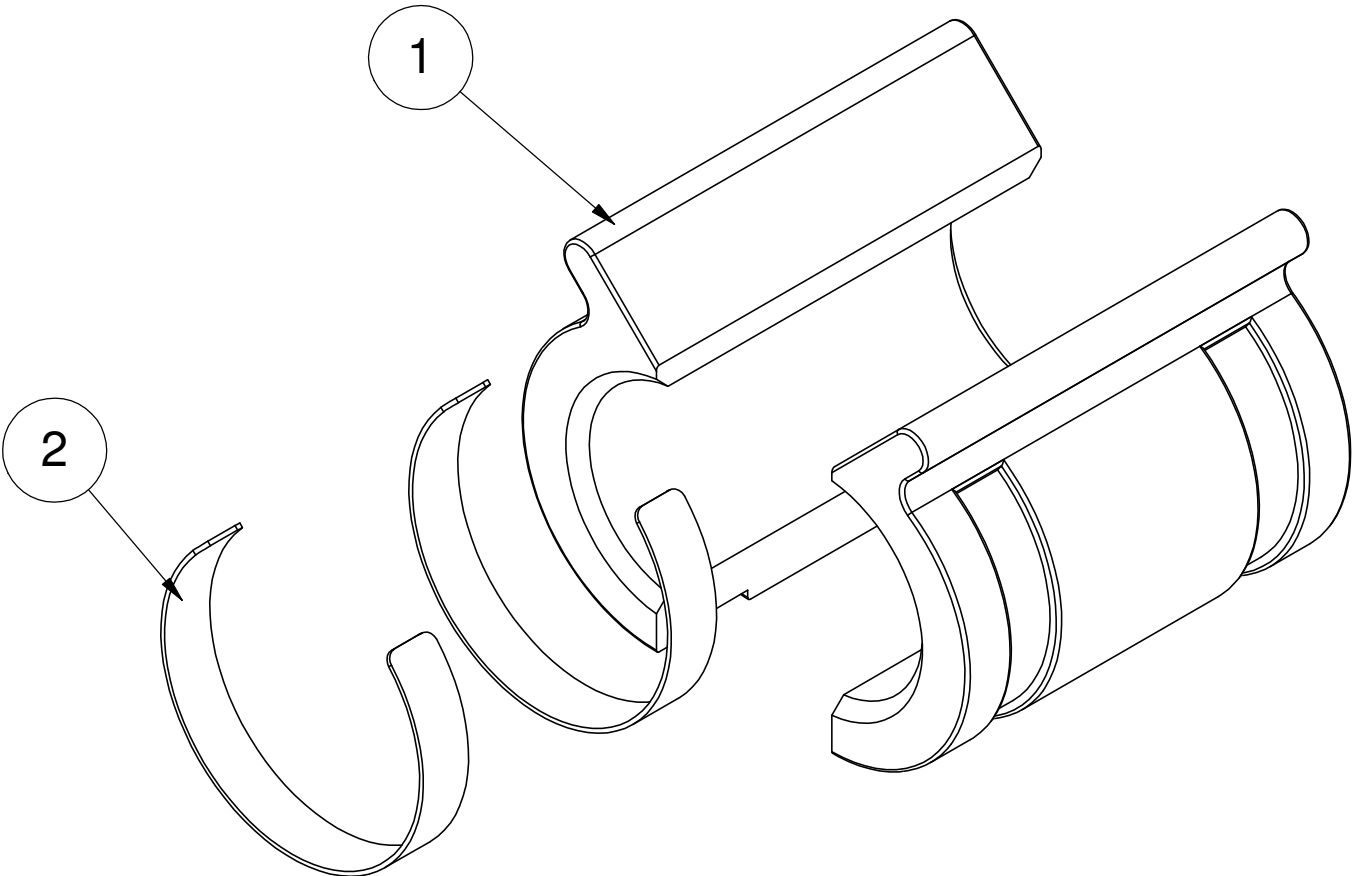
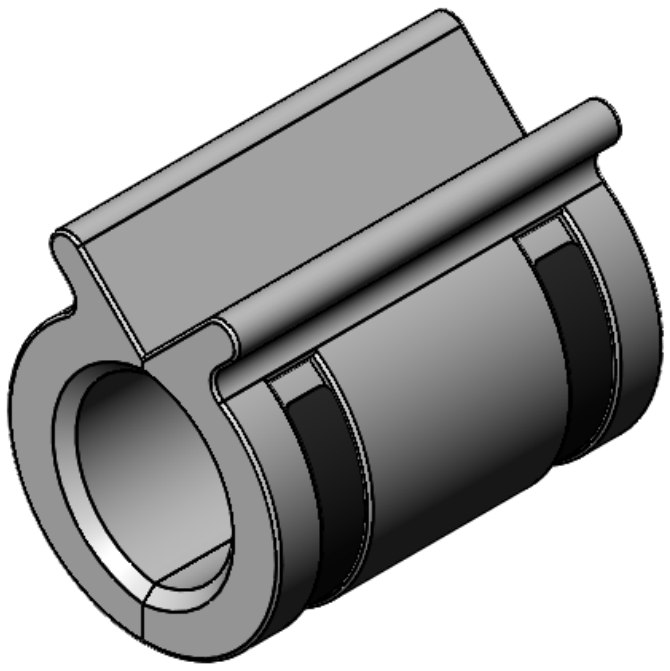


ITEM NO.	NUMBER	Component	WS1061/QTY.
1	WR1017	CAST, AL, 9697, 4.25	2
2	WR1103	SPRING, SS, 9697 .041 X. 50 X 6.875	2



COPYRIGHT © 1995 OASIS CAR WASH SYSTEMS ALL RIGHTS RESERVED		DIMENSIONS IN [] ARE MILLIMETERS	UNLESS OTHERWISE NOTED BREAK ALL SHARP EDGES AND CORNERS .015 AND 64 μIN SURFACE FINISH ALL OVER	WADLER MANUFACTURING CO., INC. GALENA, KANSAS 66739		
STANDARD TOLERANCES X.X = ± 0.063 X.XX = ± 0.015 X.XXX = ± 0.005 ANGLE = ± 0°30' FLATNESS = 0.05/FT		PROPRIETARY NOTICE THIS DOCUMENT CONTAINS CONFIDENTIAL AND TRADE SECRET INFORMATION, IS THE PROPERTY OF OASIS CAR WASH SYSTEMS, AND IS GIVEN TO THE RECEIVER IN CONFIDENCE. THE RECEIVER BY RECEPTION AND RETENTION OF THE DOCUMENT ACCEPTS THE DOCUMENT IN CONFIDENCE AND AGREES THAT, EXCEPT AS AUTHORIZED IN WRITING BY OASIS CAR WASH SYSTEMS, IT WILL (1) NOT USE THE DOCUMENT OR ANY COPY THEREOF OF THE CONFIDENTIAL OR THE TRADE SECRET INFORMATION THEREIN; (2) NOT COPY THE DOCUMENT (3) NOT DISCLOSE TO OTHERS EITHER THE DOCUMENT OR THE CONFIDENTIAL OR TRADE SECRET INFORMATION THEREIN; AND (4) UPON COMPLETION OF THE NEED TO RETAIN THE DOCUMENT, OR UPON DEMAND, RETURN THE DOCUMENT, ALL COPIES THEREOF, AND ALL MATERIAL COPIED THEREFROM.			COMPONENT Seg 9697 - 4.25"	
WARNING! THE EXPORT OR REEXPORT OF THIS DRAWING OR A PRODUCT PRODUCED BY THIS DRAWING IS SUBJECT TO U.S. EXPORT ADMINISTRATION REGULATIONS AND OTHER APPLICABLE GOVERNMENTAL RESTRICTIONS OR REGULATIONS.		MATERIAL LISTED	MATERIAL NO. LISTED	SIZE 4.25"	QTY/ASSY 1	
REV. DESCRIPTION DATE APVD		HEAT TREAT N/A	SURFACE N/A	SCALE 1:1.5	DWG NO WS1061	
REVISIONS		ASSEMBLY N/A	BY JJH	DATE 10/26/2019	REV A-01	
				SHT 11	OF 20	

D
C
B
A
 REV A-01
 DWG NO WS1061